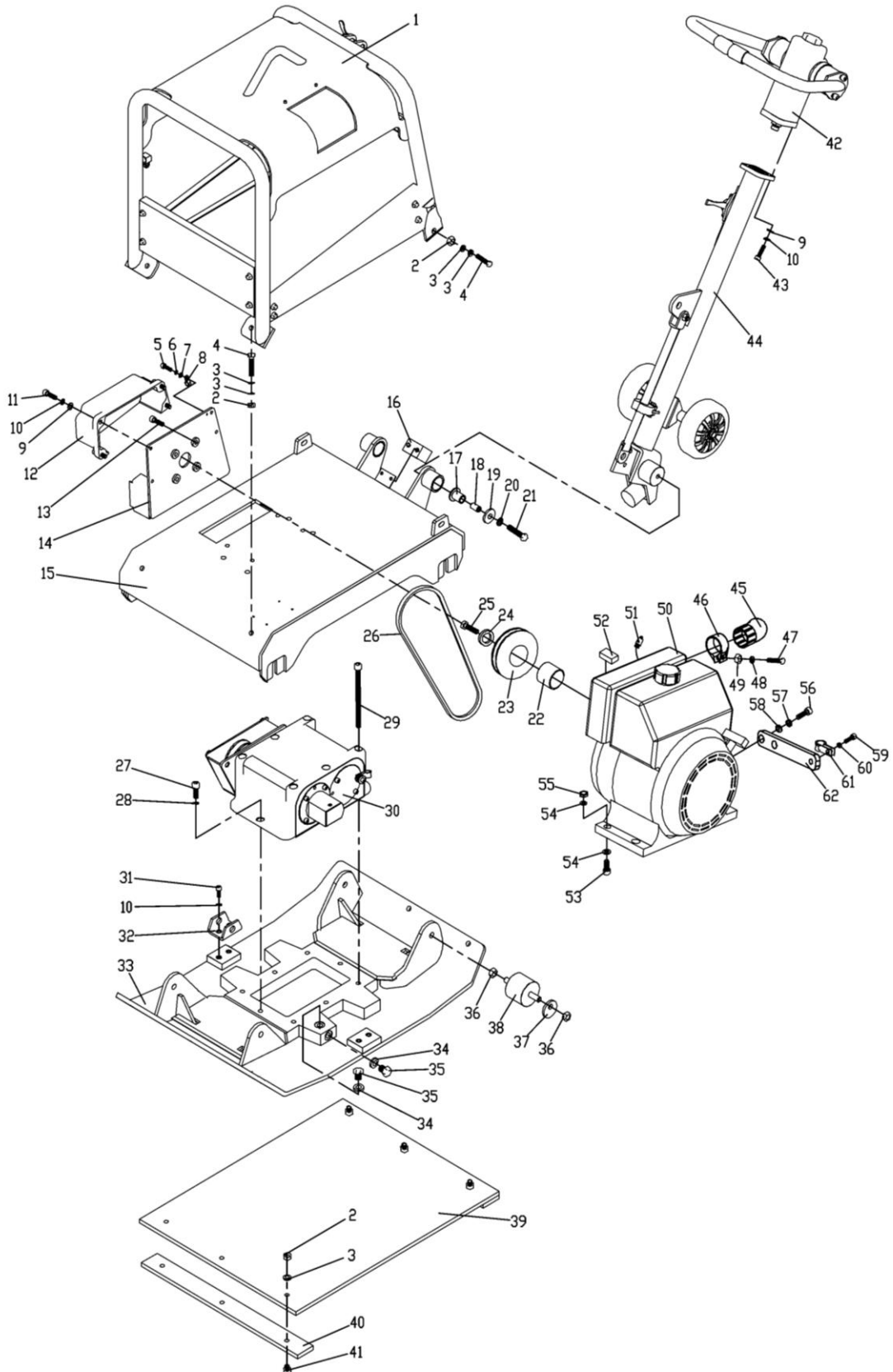


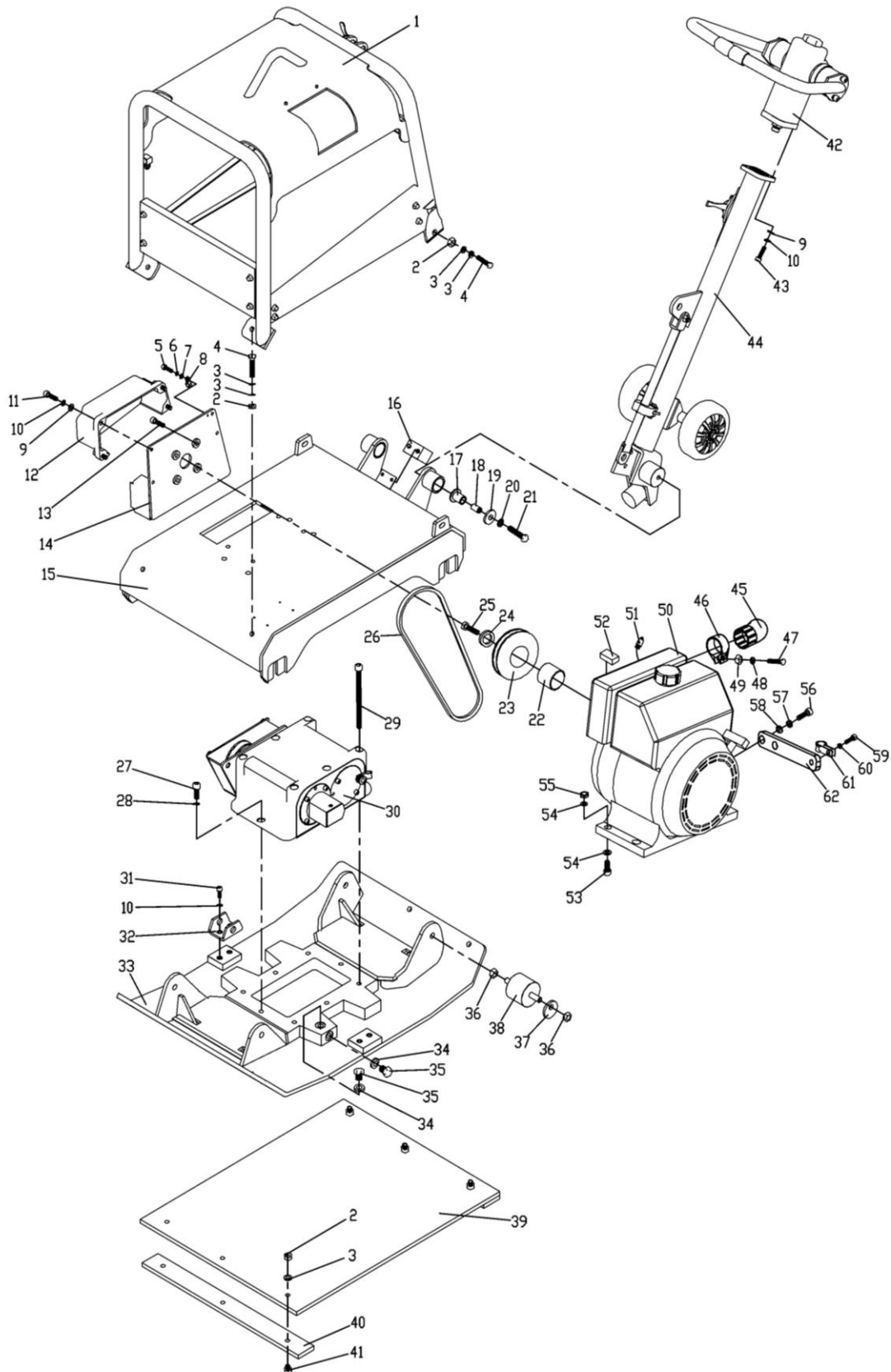
PARTS LIST - MACHINE ASSEMBLY
FPR4025/FPR5030



PARTS LIST - MACHINE ASSEMBLY FPR4025/FPR5030

ITEM NO.	DESCRIPTION	PART NO.		QTY	NOTES
		FPR4025	FPR5030		
1	PROTECTIVE FRAME	W41307	W41309	1	FOR DIESEL ENGINE
		W41308	W41310		FOR PETROL ENGINE
2	HEX NUT M10	W480/10		11	
3	FLAT WASHER 10	W418/10		16	
4	HEX BOLT M10X40	W437/10/40		4	
5	SKT HEAD SCREW M5X16	W455/5/16		1	FOR DIESEL ENGINE
6	SPRING WASHER 5	W432/5		1	FOR DIESEL ENGINE
7	FLAT WASHER 5	P100-0005-01		1	FOR DIESEL ENGINE
8	CLIP	W43005		1	
9	FLAT WASHER 8	W418/8		9	
10	SPRING WASHER 8	W432/8		8	
11	HEX BOLT M8X25	W455/8/25		4	
12	BELT COVER	W41080	W41082	1	FOR DIESEL ENGINE
		W41081	W41083		FOR PETROL ENGINE
13	SKT HEAD SCREW M8X20	W455/8/20		6	FOR DIESEL ENGINE
	HEX BOLT	W452/5/12		4	FOR PETROL ENGINE
14	PLATE	W41084	W41086	1	FOR DIESEL ENGINE
		W41085	W41087		FOR PETROL ENGINE
15	ENGINE MOUNTING PLATE	W41088	W41089	1	
16	CLAMP	W41003		1	
17	NYLON COLLAR	W41004		2	
18	BUSHING	W41005		2	
19	WASHER	W41006		2	
20	SPRING WASHER 12	W432/12		2	
21	HEX BOLT M12X60	W437/12/60		2	
22	SLEEVE	W41007	W41091	1	FOR PETROL ENGINE
		W41090	W41092		FOR DIESEL ENGINE
23	CLUTCH	W41008		1	FOR PETROL ENGINE
		W41093	W41094		FOR DIESEL ENGINE
24	WASHER	W41009	W41095	1	FOR DIESEL ENGINE
			W41009		
25	BOLT	P80167	P80167	1	FOR DIESEL ENGINE
			W437/8/25		
26	BELT	W87298		1	FOR DIESEL ENGINE
		W87302			FOR PETROL ENGINE
27	SKT HD SCREW M10X35	W455/10/35		2	
28	SPRING WASHER 10	W432/10		2	

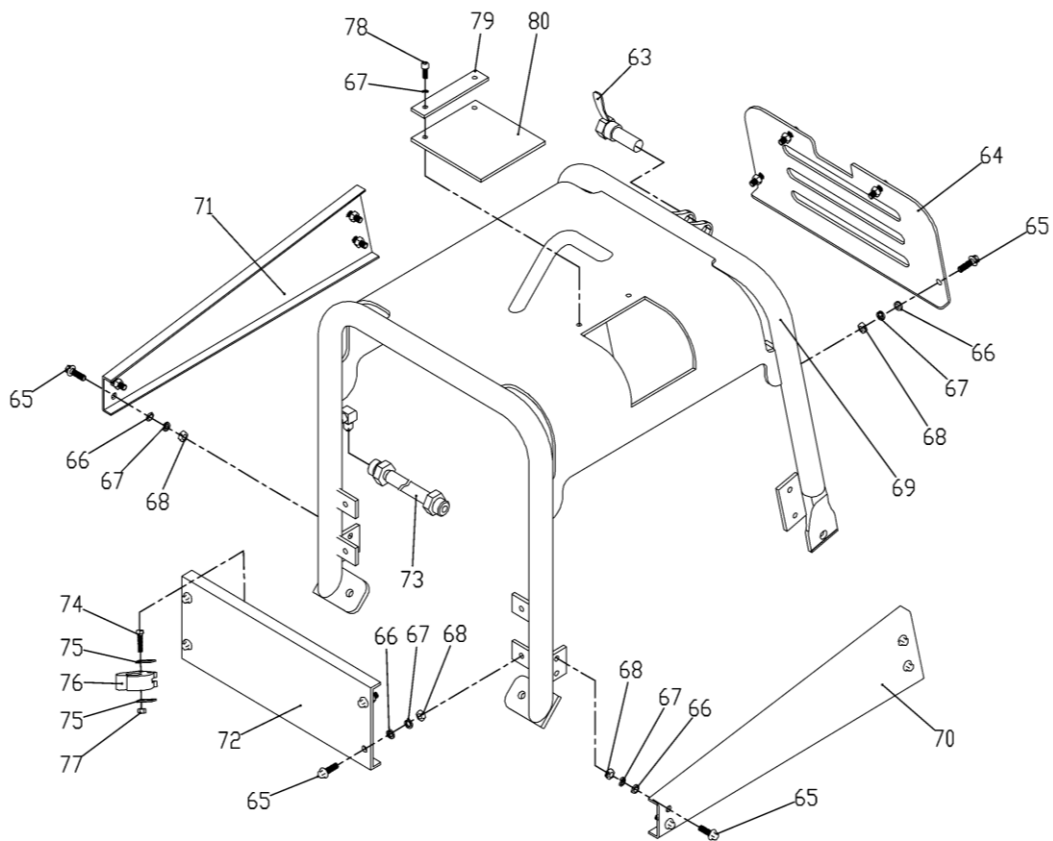
PARTS LIST - MACHINE ASSEMBLY
FPR4025/FPR5030



PARTS LIST - MACHINE ASSEMBLY FPR4025/FPR5030

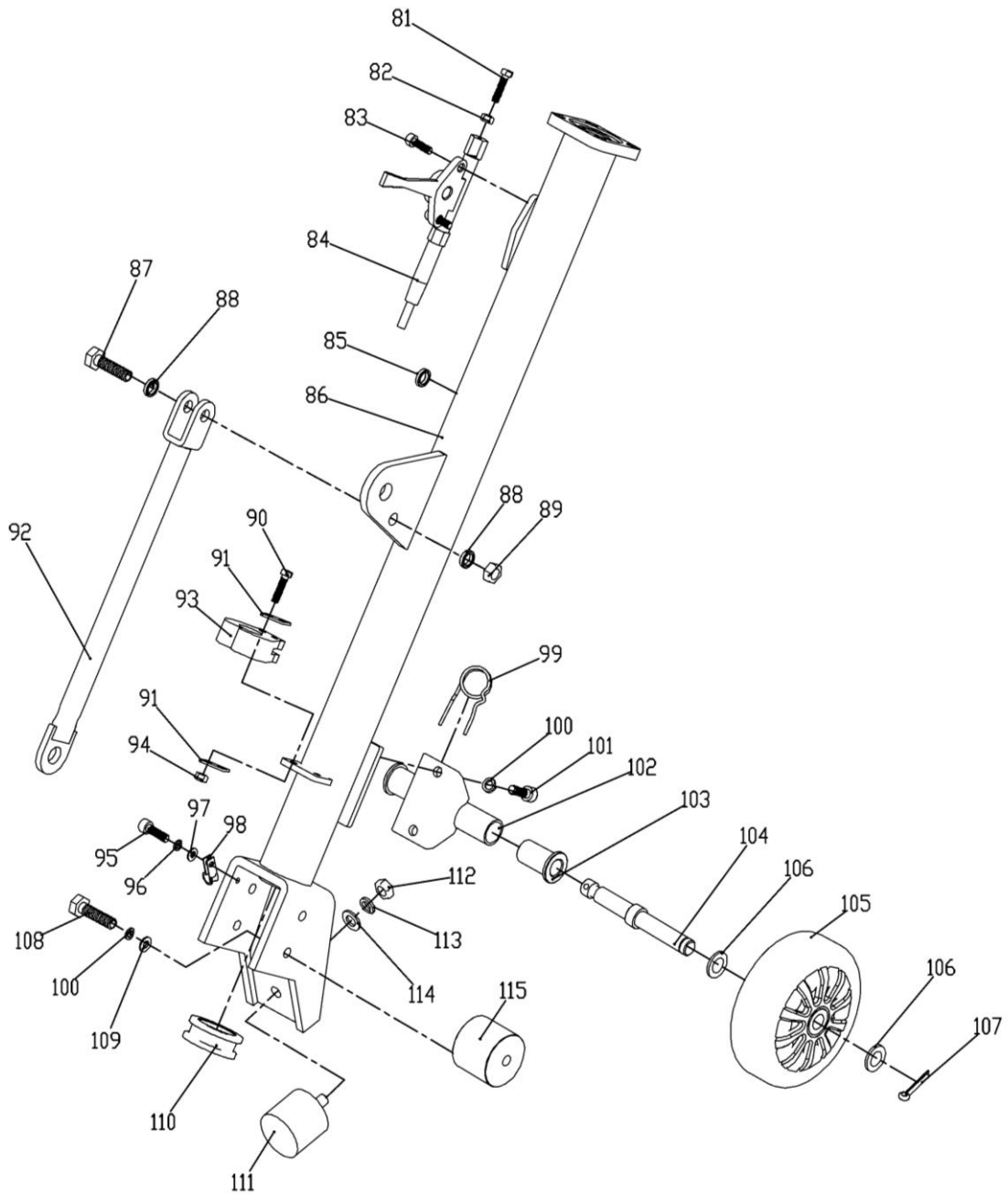
ITEM NO.	DESCRIPTION	PART NO.		QTY	NOTES
		FPR4025	FPR5030		
29	SKT HD SCREW M10X130	W455/10/130		6	
30	VIBRATION BOX ASSY	W41311	W41312	1	
31	SKT HD SCREW M8X20	W455/8/20		4	
32	BRACKET	W41012		2	
33	BASEPLATE	W41096	W41097	1	
34	GASKET	W41014		2	
35	HEX BOLT M14X1.5	W41015		2	
36	NYLOC NUT M12	W480/12Z		8	
37	WASHER	W41016		4	
38	SHOCK ABSORBER	W41017		4	
39	RUBBER MAT	W41098	W41099	1	
40	FIXED STRIP	W41100	W41101	2	
41	HEX HEAD SCREW M10X35	W437/10/35		6	
42	HYDRAULIC HANDLE ASSY	W41303		1	
43	SKT HD SCREW M8X35	W455/8/35		4	
44	HANDLE ASSEMBLY	W41313		1	
45	EXHUAUST	W41102		1	FOR DIESEL ENGINE
46	CLAMP	W41103		1	FOR DIESEL ENGINE
47	SKT HD SCREW M8X35	W455/8/35		1	FOR DIESEL ENGINE
48	FLAT WASHER 8	W418/8		1	FOR DIESEL ENGINE
49	NYLOC NUT M8	W480/8Z		1	FOR DIESEL ENGINE
50	PETROL ENGINE	W81731	W81918	1	HONDA
	DIESEL ENGINE	W81740	W81740	1	LOMBARDINI
51	PIN	W41106		1	FOR HONDA GX160 ONLY
52	KEY	W14690	W14690	1	HONDA
		W41104	W41105	1	LOMBARDINI
53	HEX HD SCREW M10X45	W437/10/45			FOR DIESEL ENGINE
	HEX HD SCREW M8X45	W437/8/45		4	FOR PETROL ENGINE
54	FLAT WASHER 10	W418/10			FOR DIESEL ENGINE
	FLAT WASHER 8	W418/8		4	FOR PETROL ENGINE
55	NYLOC NUT M10	W480/10			FOR DIESEL ENGINE
	NYLOC NUT M8	W480/8Z		4	FOR PETROL ENGINE
56	SKT HD SCREW M6X18	W455/6/18		2	FOR DIESEL ENGINE
57	SPRING WASHER 6	W432/6		2	FOR DIESEL ENGINE
58	FLAT WASHER 6	W418/6		2	FOR DIESEL ENGINE
59	SKT HD SCREW M5X10	W455/5/10		1	FOR DIESEL ENGINE
60	FLAT WASHER 5	P100-0005-01		1	FOR DIESEL ENGINE
61	CLAMP	W41034		1	FOR DIESEL ENGINE
62	BRACKET	W41107		1	FOR DIESEL ENGINE

PARTS LIST - W41307/8/9/10 PROTECTIVE FRAME ASSEMBLY FPR4025/FPR5030



ITEM NO.	DESCRIPTION	PART NO.		QTY	NOTES
		FPR4025	FPR5030		
63	PULLING HANDLE	W41021		1	
64	COVER, BACK	W41108	W41109	1	
65	HEX HD SCREW M8X25	W437/8/25		16	
66	FLAT WASHER 8	W418/8		16	
67	SPRING WASHER 8	W432/8		18	
68	NYLOC NUT M8	W480/8Z		16	
69	PROTECTIVE FRAME	W41110	W41112	1	FOR DIESEL ENGINE
	PROTECTIVE FRAME	W41111	W41113		FOR PETROL ENGINE
70	COVER, RIGHT	W41114	W41115	1	
71	COVER, LEFT	W41116	W41117	1	
72	COVER, FRONT	W41118	W41119	1	FOR DIESEL ENGINE
			W41120	1	FOR PETROL ENGINE
73	OIL DRAIN HOSE	W41121	/	1	FOR DIESEL ENGINE
		W41027			FOR PETROL ENGINE
74	HEX HD SCREW M6X30	W437/6/30		2	FOR DIESEL LD350
75	CONNECTING PLATE	W41031		2	FOR DIESEL LD350
76	CLAMP, RUBBER	W41033		1	FOR DIESEL LD350
77	NYLOC NUT M6	W480/6Z		2	FOR DIESEL LD350
78	SKT HD SCREW M8X16	W455/8/16		2	FOR DIESEL ENGINE
79	FIXING STRIP	W41122		1	FOR DIESEL ENGINE
80	TOP COVER, RUBBER	W41123		1	FOR DIESEL ENGINE

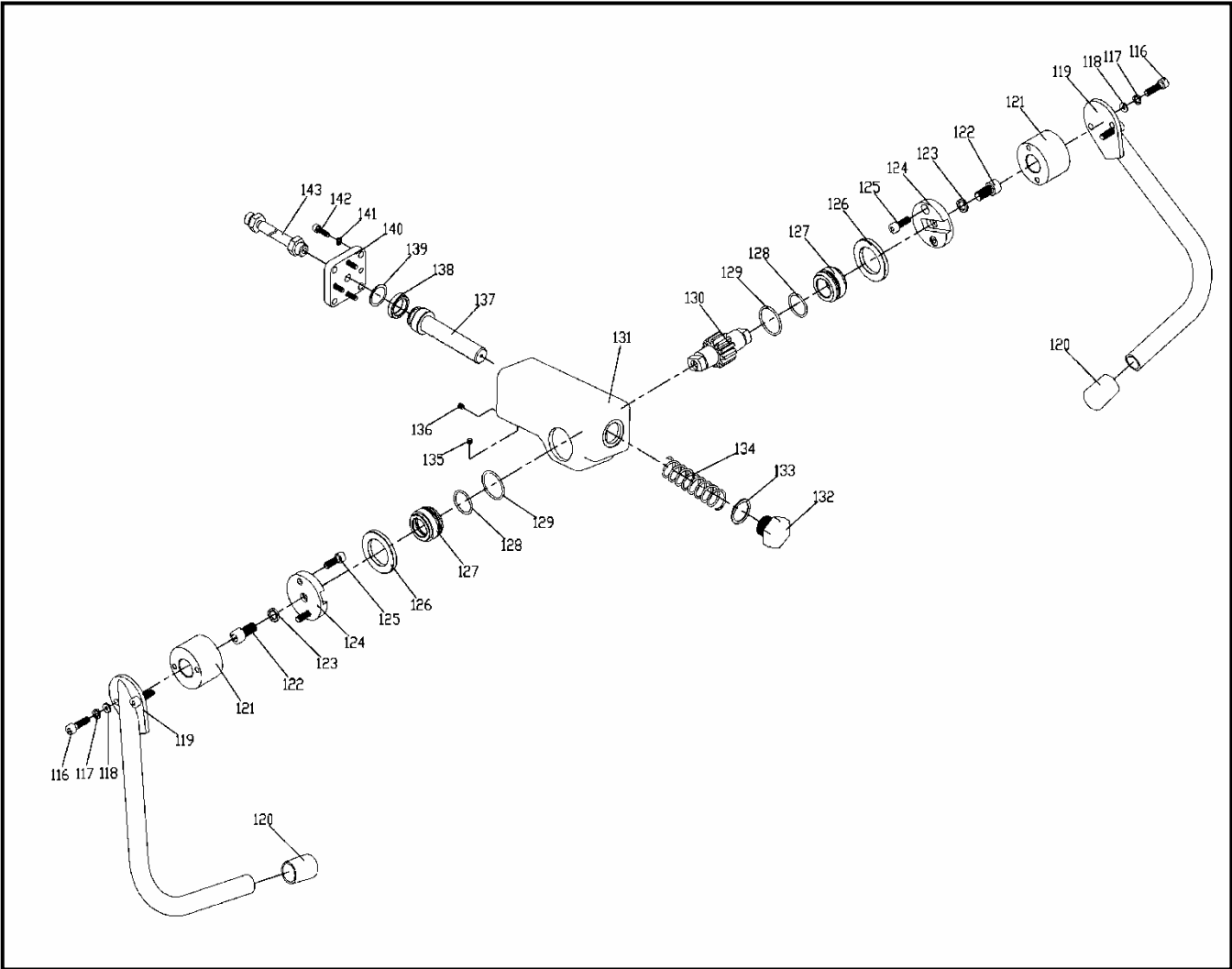
**PARTS LIST - W41313 HANDLE ASSEMBLY
FPR4025/FPR5030**



**PARTS LIST - W41313 HANDLE ASSEMBLY
FPR4025/FPR5030**

ITEM NO.	DESCRIPTION	PART NO.		QTY	NOTES
		FPR4025	FPR5030		
81	HEX HD SCREW M6X40	W437/6/40		1	
82	HEX NUT M6	W440/6		1	
83	SKT HD SCREW M6X20	W455/6/20		2	
84	THROTTLE CONTROL ASSY	W41124	W41126	1	FOR DIESEL ENGINE
		W41125	W41127		FOR PETROL ENGINE
85	GROMMET	W41029		2	
86	HANDLE	W41128		1	
87	HEX HD SCREW M10X35	W437/10/35		1	
88	NYLON WASHER	W41010		2	
89	NYLOC NUT M10	W480/10		1	
90	HEX HD SCREW M6X30	W437/6/30		2	
91	GASKET	W41031		2	
92	CONNECTING ROD	W41129	W41130	1	FOR DIESEL ENGINE
		W41032			FOR PETROL ENGINE
93	CLAMP, RUBBER	W41033		1	
94	NYLOC NUT M6	W480/6Z		2	
95	SKT HD SCREW M5X16	W455/5/16		1	
96	SPRING WASHER 5	W432/5		1	
97	FLAT WASHER 5	W418/5		1	
98	CLAMP	W41034		1	
99	PIN	W41035		1	
100	SPRING WASHER 8	W432/8		6	
101	SKT HD SCREW M8X20	W455/8/20		2	
102	CONNECTOR, WHEEL	W41036		1	
103	SLEEVE, NYLON	W41037		2	
104	WHEEL SHAFT	W41038		1	
105	WHEEL	W41131	W41039	2	
106	WASHER, NYLON	W41040		4	
107	PIN	W516/4/25		2	
108	HEX HD SCREW M8X20	W437/8/20		4	
109	FLAT WASHER 8	W418/8		28	
110	SLEEVE, OIL HOSE	W41041		1	
111	VIBRATION DAMPER	W41042		1	
112	NYLOC NUT M10	W480/10		1	
113	SPRING WASHER 10	W432/10		1	
114	FLAT WASHER 10	W418/10		1	
115	SHOCK ABSORBER	W41043		2	

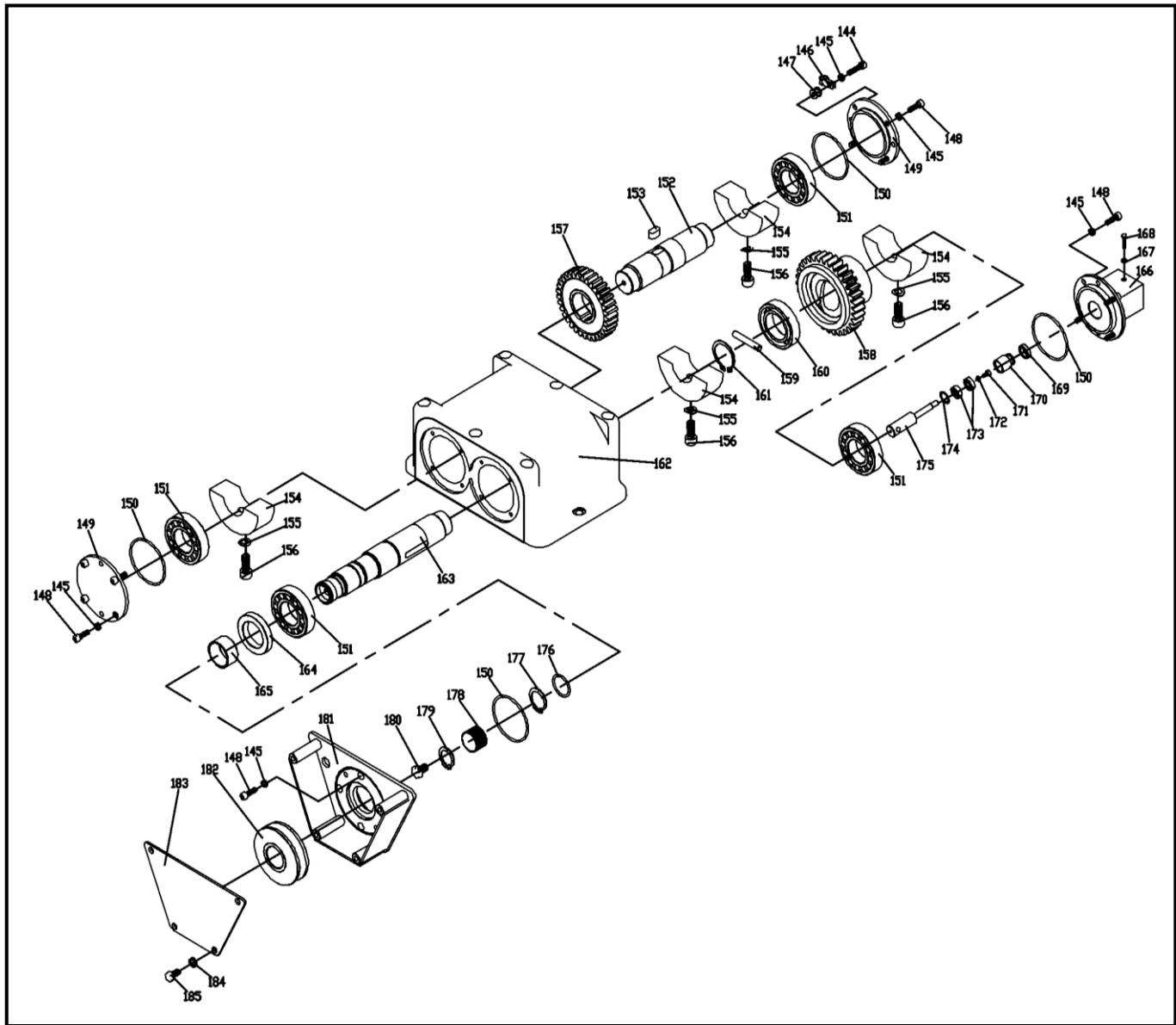
**PARTS LIST - W41303 HYDRAULIC HANDLE ASSEMBLY
FPR4025/FPR5030**



**PARTS LIST - W41303 HYDRAULIC HANDLE ASSEMBLY
FPR4025/FPR5030**

ITEM NO.	DESCRIPTION	PART NO.		QTY	NOTES
		FPR4025	FPR5030		
116	SKT HD SCREW M8X25	W455/8/25		4	
117	SPRING WASHER 8	W432/8		4	
118	FLAT WASHER 8	W418/8		4	
119	HANDLE	W41044		2	
120	SLEEVE	W41045		2	
121	SHOCK MOUNT	W41046		2	
122	SKT HD SCREW M12X25	W455/12/25		2	
123	SPRING WASHER 12	W432/12		2	
124	FIXING PLATE	W41047		2	
125	SKT HD SCREW M8X20	W455/8/20		4	
126	WASHER, NYLON	W41048		2	
127	SLEEVE	W41049		2	
128	O-RING	W81148		2	
129	O-RING	W81149		2	
130	PINION	W41050		1	
131	CASE, HYDRAULIC PUMP	W41051		1	
132	SOCKET PLUG	W41052		1	
133	GASKET	W41053		1	
134	SPRING	W41054		1	
135	RIVET	W41011		2	
136	SCREW	P122-0806-00		1	
137	CONTROL PISTON	W41055		1	
138	GASKET	W41056		1	
139	O-RING	W81150		1	
140	SEAL PLATE	W41057		1	
141	SPRING WASHER 6	W432/6		4	
142	SKT HD SCREW M6X20	W455/6/20		4	
143	HYDRAULIC OIL HOSE	W41058	W41132	1	










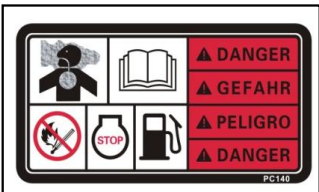








**PARTS LIST - W41311/W41312 VIBRATION GEARBOX ASSEMBLY
FPR4025/FPR5030**



**PARTS LIST - W41311/W41312 VIBRATION GEARBOX ASSEMBLY
FPR4025/FPR5030**

ITEM NO.	DESCRIPTION	PART NO.		QTY	NOTES
		FPR4025	FPR5030		
144	SKT HD SCREW M6X30	W455/6/30		1	
145	SPRING WASHER 6	W432/6		16	
146	CLAMP	W41059		1	
147	WASHER	W41060		1	
148	SKT HD SCREW M6X20	W455/6/20		15	
149	BEARING COVER	W41133		2	
150	O-RING	W81156		4	
151	BEARING	W81098		4	
152	SHAFT	W41062		1	
153	KEY	W41078		1	
154	ECCENTRIC WEIGHT	W41134	W41135	4	
155	SPRING WASHER M10	W432/10		4	
156	SKT HD SCREW M10X25	W455/10/25		4	
157	DRIVEN GEAR	W41064		1	
158	GEAR	W41065		1	
159	PIN	W41066		1	
160	BEARING	W81099		1	
161	RETAINING RING 40	W538/40		1	
162	VIBRATION BOX	W41067		1	
163	SHAFT	W41136		1	
164	OIL SEAL	W81241		1	
165	INNER BEARING	W81081		1	
166	CYLINDER COVER	W41069		1	
167	GASKET	W41070		1	
168	HEX HD SCREW M6X12	W437/6/12		1	
169	GASKET, RUBBER	W41071		1	
170	CONNECTING SLEEVE	W41072		1	
171	SKT HD SCREW M5X10	W455/5/10		1	
172	FLAT WASHER 5	W418/5		1	
173	BEARING	W81085		2	
174	RETAINING RING 22	W81251		1	
175	DRIVEN SHAFT	W41073		1	
176	O-RING	W81157		1	
177	RETAINING RING 35	W538/35		1	
178	SHAFT SEAL	W41074		1	
179	RETAINING RING 32	W538/32		1	
180	BOLT	W41075		1	
181	BELT COVER	W41137		1	
182	PULLEY	W41138		1	
183	COVER PLATE	W41139		1	
184	SPRING WASHER 8	W432/8		4	
185	HEX HD SCREW M8X16	W437/8/16		4	

TABLE LIST
PC4012/PC4515/PC5018/PC5021 SERIES

   				
1				
    				
  				
    				
				
ITEM NO.	PART NO.	DESCRIPTION	QTY	NOTES
1	W22080	DECAL, HOT	1	
2	W22081	DECAL, HOT	1	
3	W22074	DECAL, FUEL WARNING	1	
4	W22075	DECAL, PROTECTION	1	
5	W22079	DECAL, TRAPPING HAZARD	1	
6	W22083	DECAL, SOUND POWER LEVEL	1	
7	W22078	DECAL, SPEED	1	
8	W22077	DECAL, LIFTING	1	
9	W22082	DECAL, SPEED	1	
10	W22076	DECAL, READ MANUAL	1	
11	W22084	DECAL, SIDE A	1	
12	W22085	DECAL, SIDE B	1	
13	W22086	DECAL, SIDE C	1	
14	W22087	DECAL, DESIGNATION	1	
14	W22088	DECAL, DESIGNATION		
14	W22089	DECAL, DESIGNATION		
14	W22090	DECAL, DESIGNATION		
15	W22091	DECAL, FRONT		

Spare Parts List

FPR4025H/FPR4025D FPR5030H/FPR5030D Reversible Plate Compactor



FAIRPORT

CONSTRUCTION EQUIPMENT LTD

Blagden Street

Sheffield

S2 5QS

England

Tel: +44 (0) 114 276 7921

Fax: +44 (0) 114 272 0965

Email: sales@fairport.uk.com

Website: www.fairport.uk.com